



# EXPLOFOR® 4

## DRILLING DATA RECORDER

Ref : N7\_5900600  
GeoBOX® : N7\_5900980  
GeoVision®- F : N2\_5910002



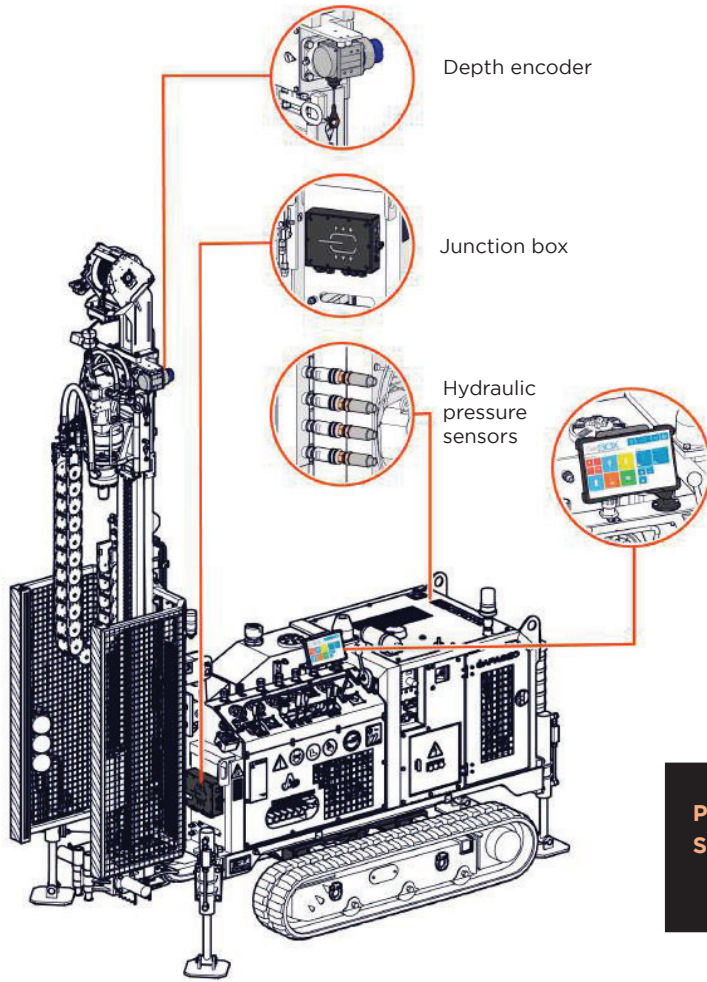
More info on GeoBox® page 33

### THE +

- ✚ Recording of drilling activities
- ✚ Capture and record lithology during drilling
- ✚ Records calibrations (all along the borehole) during drilling
- ✚ Records the value of each sensor, with a predefined period in complement of the depth recording
- ✚ Synchronisation of activities, teams and workload with Geovision® (requires 4G option)
- ✚ Adapted for all types of hydraulics drilling rigs
- ✚ Instant profile acquisition & visualization on GeoBOX®.
- ✚ Recording of drilling activity times

EXPLOFOR® 4 enables the **recording of drilling parameters during the drilling process** in order to quickly visualize the profile of the soil being drilled and **to adjust and target the tests to be carried out** (Pressuremeter, SPT). EXPLOFOR® 4 has an activity manager, allowing the recording of different activities on the site, for analysis purposes, such as calibration all along the borehole, core recovery, cementing, various faults, etc...

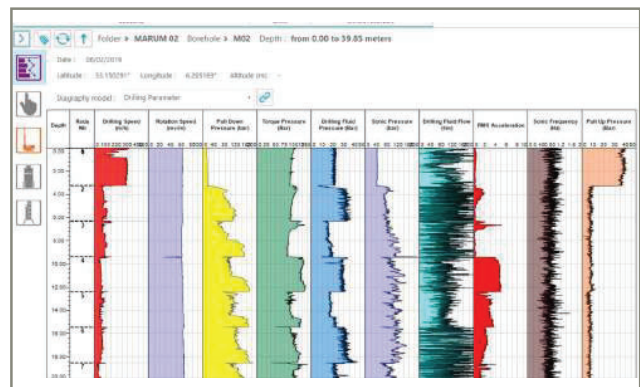
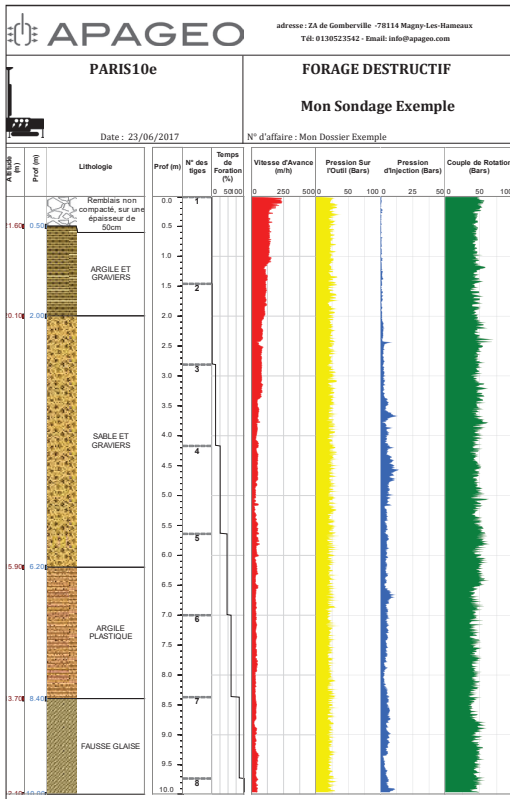




**EXPLOFOR® 4 RECORDS THE FOLLOWING PARAMETERS :**

- Depth of drilling
- Drilling speed
- Pull down pressure (trust) on drilling bits
- Rotating torque pressure of the rotation head
- Pump pressure of drilling fluid
- Optional :  
Rotation speed, holding pressure, flow, GPS.
- Possibility to record lithology during borehole acquisition (manual parameter input included with the Explofor®).

**POSSIBILITY TO USE THE SAME ACQUISITION SYSTEM FOR RECORDING DRILLING PARAMETERS AND DYNAMIC PENETROMETER!**



Data can be **directly processed** on our geotechnical software GeoVision® through a **USB key or 4G modem transfer**