



APADYN®

DATA ACQUISITION FOR PENETROMETER AND CONTROL OF TRENCH OR PLATFORM COMPACTION

Ref: N7_5900800
GeoBOX®: N7_5900900
GeoVision®-D: N2_5910007

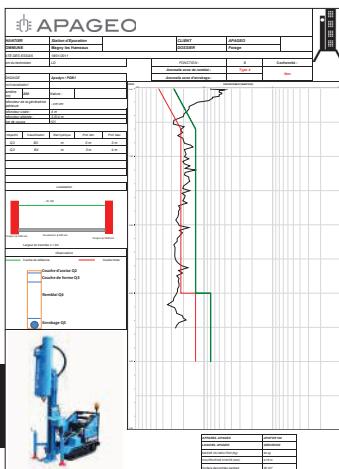
THE +

- + Acquisition and real time viewing of soil profile on GeoBOX®
- + Can be use on any heavy dynamic penetrometer
- + Compaction control mode approved by a certification CER 100 GR0032 for a GTR classification in accordance with COFRAC requirements
- + Curve displayed during test

APADYN® allows data acquisition for **dynamic penetrometer** (blow counting according to the **NF EN ISO 22476-2**) as well **as control of trench or platform compaction** (according to the NF P 94-063 standard) and **SPT (NF EN ISO 22476-3)**.

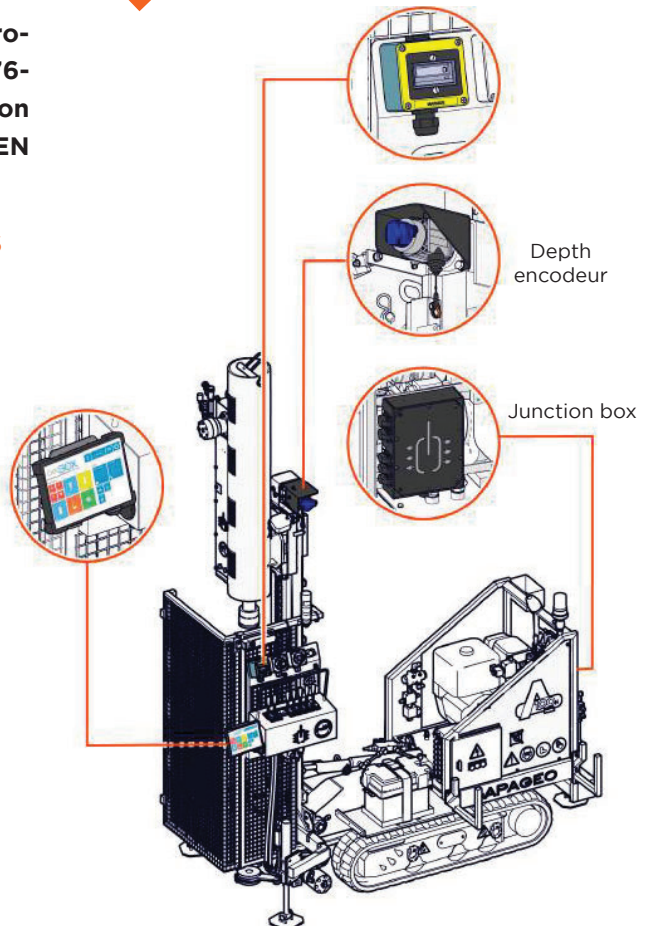
APADYN® RECORDS THE FOLLOWING PARAMETERS

- Blows number or depth per blow
- Depth required and reached
- Compaction envelope for compacted materials
- Manual measuring torque between each rod
- Cone resistance Qd
- Pipe position
- Sounding localization
- In option: GPS, mast inclination



More info on GeoBOX® page 33

Compaction control mode compatible with all our Apafor®, Socomafor and Geotool



Data can be **directly processed** on our geotechnical software GeoVision® through a **USB key or 4G modem transfer**